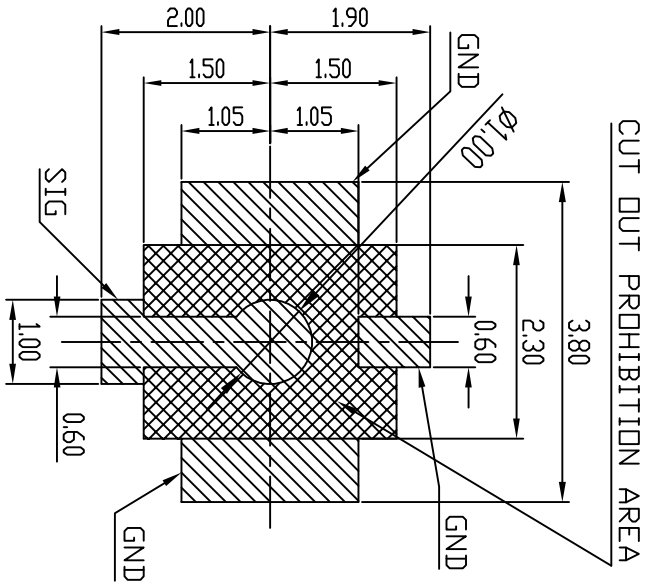
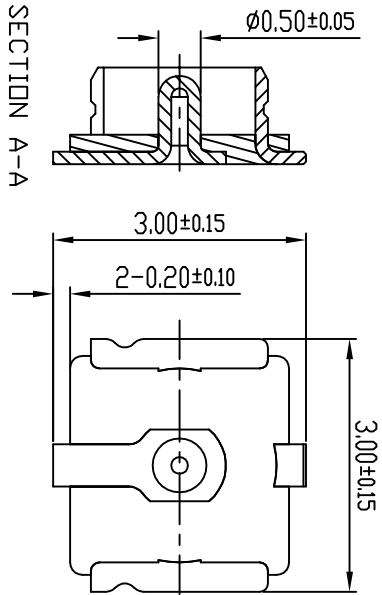
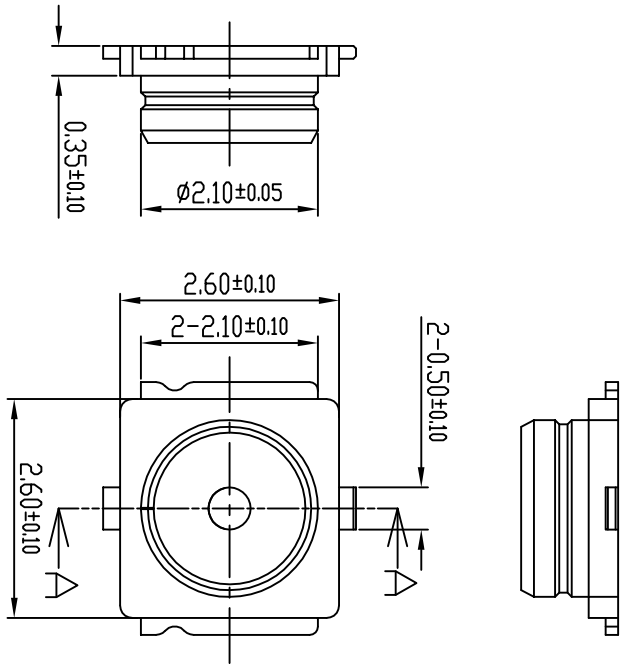
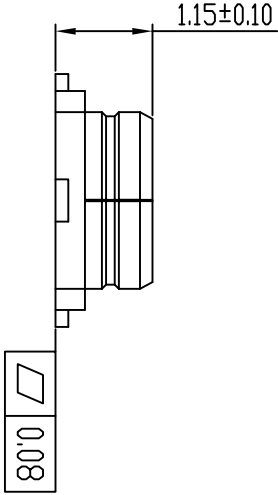
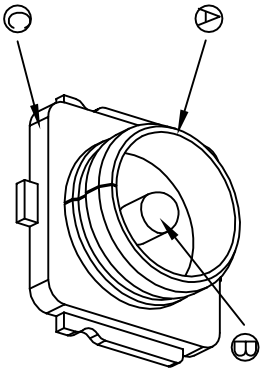


Rev.	ECN Number	Description	Date	Drawn	Checked	Approved



RECOMMENDED P.C.B. LAYOUT
(TOLERANCE ±0.05)



Ⓒ	CONTACT	1	COPPER ALLOY/GOLD PLATED OVER NI
Ⓑ	HOUSING	1	Hight Temp. Plastic UL94V-0/BLACK
Ⓐ	SHELL	1	COPPER ALLOY/AG PLATED OVER NI
ITEM	PART NAME	QTY	MATERIAL/FINISH

Mycon

深圳市镁旺电子科技有限公司

Shenzhen Meiwang Electronic Technology Co.,Ltd

GENERAL TOLERANCE		SCALE: 1:1
XX ±0.50	X ±2.0°	UNIT: mm
X ±0.35	X ±1.0°	SIZE: A4
X ±0.25	XX ±0.5°	
XX ±0.15		

DRAWN	DATE	DWG. NO.
CHECK	DATE	681-0011A-1
APPROVE	DATE	PARTS NO.(INTENDED USE)
		MHF-RT-2

- NOTES:
- 1.1 Rated Voltage 60V AC
 - 1.2 Frequency Range 0~6GHz
 - 1.3 Impedance 50Ω
 - 1.4 Operating Temperature -40°C~+90°C
 - 2.1 Voltage Standing Wave Ratio(VSWR) 1.3 max. at 0~3GHz
1.4 max. at 3~6GHz
30 cycles
 - 2.2 Durability tape & reel 1000Pcs/Reel (Φ175mm)
 - 3.1 Packing

TITLE

CUSTOMER DRAWING

USS RF II代,
外壳镀银, 4焊脚, 塑胶黑色

REV. A

SHEET 1:1